

Miovision SmartView 360 Hardware Specifications



The Miovision SmartView 360 is a camera that is used to capture video at your intersection. Designed to operate in all weather conditions, the SmartView 360 is equipped with a 4K 12MP 360° lens with a 180° field of view delivers high-resolution video streams to your Miovision Core DCM so you can remotely manage and analyze your intersections. SmartView 360 utilizes a low power lens heater to keep the lens clear of ice/frost.

Contents

Kit contents	1 x Miovision SmartView 360 Camera, Camera Bell and installation accessories (weatherproof coupler, Torx bit, 3 x RJ45 connectors)
Optional items	SmartView 360 gooseneck mount with universal bracket for vertical or horizontal installations (for poles >2.375", 6.1cm) Universal SmartView 360 extension to add 6" to camera height

Device weight (not including cables)

Miovision® SmartView 360 Camera – Bell only	4.7 lbs (2.1 kg)
Camera with Gooseneck Mount and Universal Bracket	13.3 lbs (6.0 kg)
Camera with Gooseneck Mount, Universal Bracket and Extension	22.0 lbs (9.9 kg)

Power

Power delivery	PoE (IEEE802.3af compliant)
Power consumption	12.95 W (Class 0 device)

Operating conditions

Operating temp	-40°F to 165°F (-40°C to 74°C)
Camera Lens Heater to prevent ice/frost buildup	Thermostatically controlled Operates with standard PoE
Humidity	5% - 100% RH non-condensing
Dehumidification System	Electronic
Water and dust resistance	IP66, Type 4X(UL50), NEMA 4X compliant

Camera

Image sensor	Approximately 1/2 type 12MP CMOS image sensor
Minimum illumination	0.3 lx (0.0278709 footcandle)
Wide dynamic range	Max. 84 dB
Autofocus	Electronic motor for focusing
Transmission type	H.264, H.265, JPEG
Resolution	Max.30 fps: 2992x2992 / 2192x2192 / 1280x1280 / 640x640 / 320x320 (fisheye mode)

Lens

Focal length	1.4 mm {1/16 inches}
Angular field of view	Horizontal : 183° Vertical : 183°
Maximum aperture ratio	1 : 1.9
Zoom	Digital (electronic)
Focus range	19 11/16 inches (0.5 m) - infinity

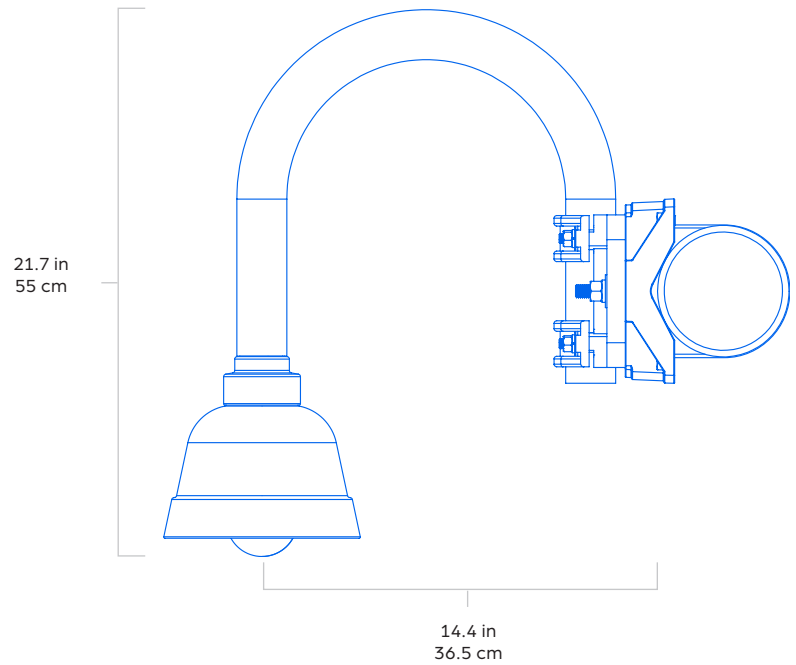
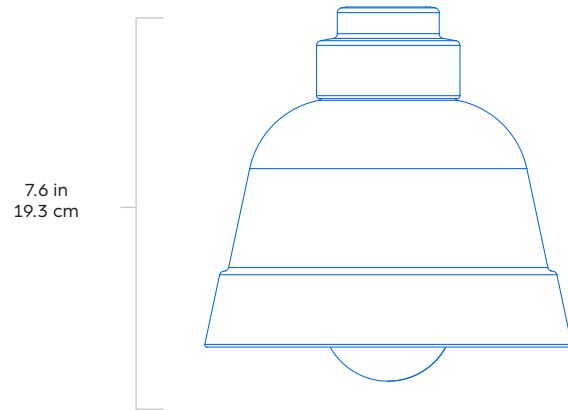
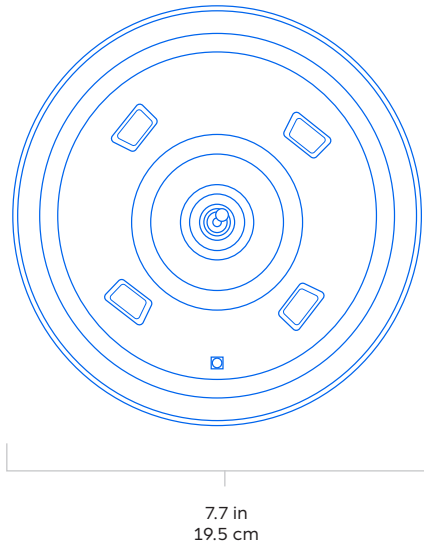
Network

Network Interface	10Base-T / 100Base-TX, RJ45 connector
--------------------------	---------------------------------------

General

Mounting method	Pole (vertical) and mast arm (horizontal), 3/4" (19 mm) banding
Safety	UL (UL62368-1), c-UL (CSA C22.2 No.62368-1), CE, IEC62368-1
EMC	FCC (Part15 ClassA), ICES003 ClassA, EN55032 ClassB, EN55024, EN55035, ECE-R10, EN50498 compliant, EN50121
Shock resistance	50J (IEC 60068-2-75 compliant), IK10 (IEC 62262), NEMA 2.2.9 Compliant (10g pulse)
Finish	Main body: Aluminum die cast Outer fixing screws: Stainless steel (Corrosion-resistant treatment) Dome section: Clear polycarbonate resin

Dimensions



Specifications are subject to change without notice.

For more information, visit help.miovision.com,
email us at support@miovision.com,
or call us NA Toll-free at 1-855-360-7752

Miovision, Miovision Core, Miovision Scout, Miovision DataLink, Miovision TrafficLink, Miovision SmartLink, Miovision SmartSense, Miovision SmartView 360 are registered trademarks or trademarks of Miovision Technologies Incorporated.

Copyright © 2023 Miovision Technologies Incorporated

miovision